

# **Component-Level Information Packet for 08590-60109**

**RS-232 I/O**

**Copyright © 1991 Hewlett-Packard Company**

**All Rights Reserved.  
Reproduction, adaptation, or translation  
without prior written permission  
is prohibited, except as allowed  
under the copyright laws.**

**HP Document Part Number 08590-90126**

**Printed October 1989  
Printed in USA**

The information contained in this document is subject to change without notice.

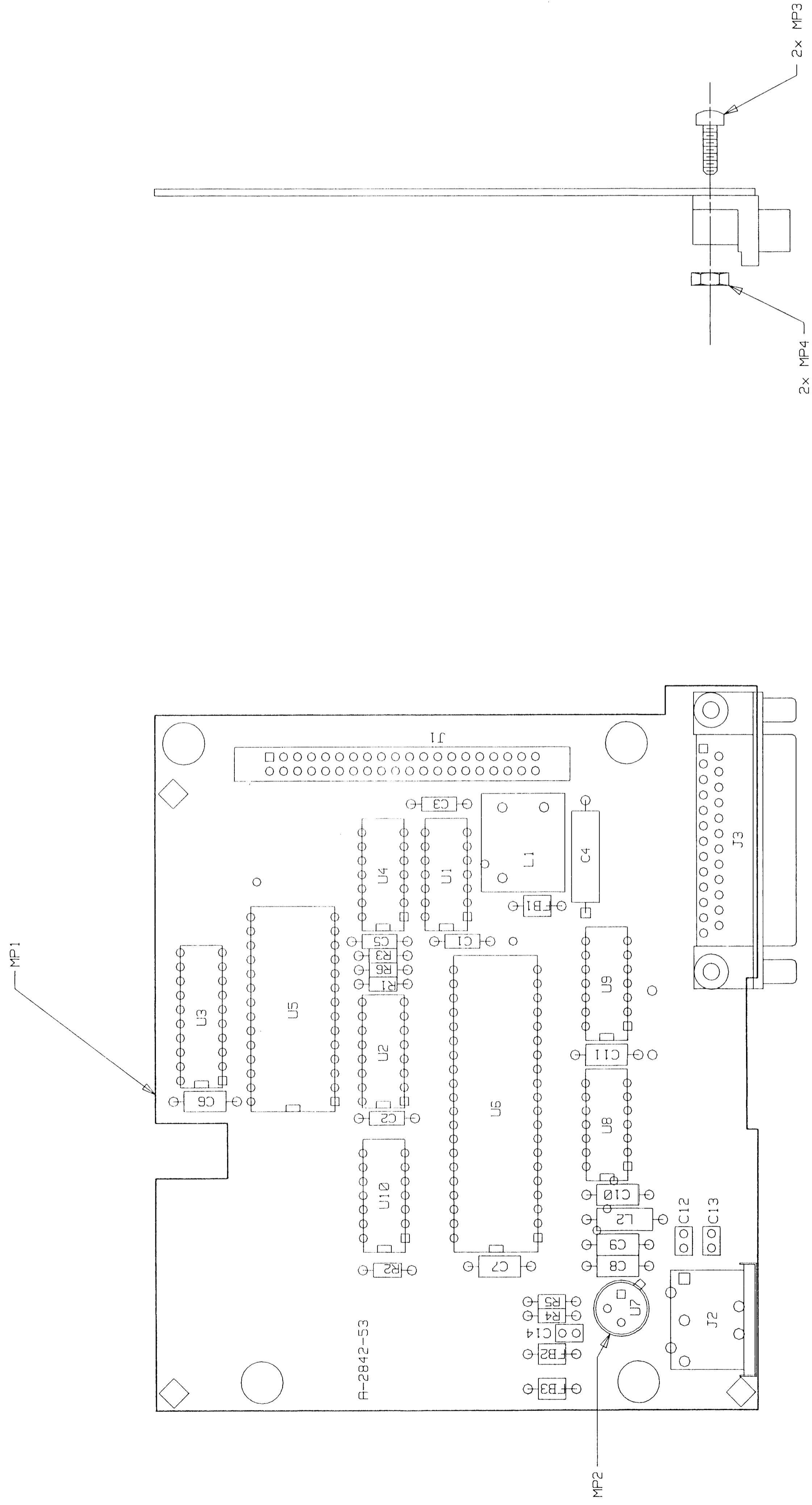




**HP Part Number 08590-60109**  
**RS232**

Reference Designation	HP Part Number	C	D	Qty	Description	Mfr Code	Mfr Part Number
A21	08590-60109	1		1	BD AY-RS-232 I-0	28480	08590-60109
C1	0160-4832	4		1	CAPACITOR-FXD .01UF +-10% 100VDC CER	04222	SA101C103KAAH
C2	0160-4832	4		1	CAPACITOR-FXD .01UF +-10% 100VDC CER	04222	SA101C103KAAH
C3	0160-4832	4		1	CAPACITOR-FXD .01UF +-10% 100VDC CER	04222	SA101C103KAAH
C4	0180-0116	1		1	CAPACITOR-FXD 6.8UF+-10% 35VDC TA	56289	150D685X9035B2-DYS
C5	0160-4832	4		1	CAPACITOR-FXD .01UF +-10% 100VDC CER	04222	SA101C103KAAH
C6	0160-4835	7		1	CAPACITOR-FXD .1UF +-10% 50VDC CER	04222	SA115C104KAAH
C7	0160-4835	7		1	CAPACITOR-FXD .1UF +-10% 50VDC CER	04222	SA115C104KAAH
C8	0160-4835	7		1	CAPACITOR-FXD .1UF +-10% 50VDC CER	04222	SA115C104KAAH
C9	0160-4835	7		1	CAPACITOR-FXD .1UF +-10% 50VDC CER	04222	SA115C104KAAH
C10	0160-4835	7		1	CAPACITOR-FXD .1UF +-10% 50VDC CER	04222	SA115C104KAAH
C11	0160-4835	7		1	CAPACITOR-FXD .1UF +-10% 50VDC CER	04222	SA115C104KAAH
C12	0160-4386	3		1	CAPACITOR-FXD 33PF +-5% 200VDC CER 0+-30		RPE121-105C0G330J200V
C13	0160-4386	3		1	CAPACITOR-FXD 33PF +-5% 200VDC CER 0+-30		RPE121-105C0G330J200V
C14	0160-4386	3		1	CAPACITOR-FXD 33PF +-5% 200VDC CER 0+-30		RPE121-105C0G330J200V
C15	0160-4386	3		1	CAPACITOR-FXD 33PF +-5% 200VDC CER 0+-30		RPE121-105C0G330J200V
FB1	9170-1419	7		1	BEAD, SHIELDING 54 OHMS @ 250MHZ 3.44nH	02114	11413-4B
FB2	9170-1419	7		1	BEAD, SHIELDING 54 OHMS @ 250MHZ 3.44nH	02114	11413-4B
FB3	9170-1419	7		1	BEAD, SHIELDING 54 OHMS @ 250MHZ 3.44nH	02114	11413-4B
J1	1252-1469	3		1	CONN-POST TYPE .100-PIN-SPCG 40-CONT	00779	103292-2
J2	1252-2347	8		1	CONNECTOR 5-PIN F CIRCULAR DIN	00779	212044-1
J3	1252-0467	9		1	CONN-RECT D-SUBMIN 25-CKT 25-CONT	00779	745783-6
L1	9140-0738	8		1	INDUCTOR 100UH .7D-INX.6LG-IN	56289	
L2	9100-1631	8		1	INDUCTOR RF-CH-MLD 56UH +-5% .166D-INX.3	99800	1537-64
MP2	1200-0173	5		1	INSULATOR-XSTR DAP-GL	07047	A-10001 DAP
MP3	0515-0169	5		1	SCREW-MACHINE ASSEMBLY M3 X 0.5 10MM-LG		
MP4	0535-0025	4		1	NUT-HEX DBL-CHAM M3 X 0.5 2.4MM-THK		
R1	0698-7253	8		1	RESISTOR 5.11K 1% .05W TF TC=0+-100	19701	5063J
R2	0698-7253	8		1	RESISTOR 5.11K 1% .05W TF TC=0+-100	19701	5063J
R3	0698-7253	8		1	RESISTOR 5.11K 1% .05W TF TC=0+-100	19701	5063J
R4	0698-7253	8		1	RESISTOR 5.11K 1% .05W TF TC=0+-100	19701	5063J
R5	0698-7253	8		1	RESISTOR 5.11K 1% .05W TF TC=0+-100	19701	5063J
R6	0698-7253	8		1	RESISTOR 5.11K 1% .05W TF TC=0+-100	19701	5063J
U1	1820-3298	5		1	IC GATE CMOS/74HC OR QUAD 2-INP	27014	MM74HC32N
U2	1820-3785	5		1	IC CNTR CMOS/74HC BIN SYNCHRO POS-EDGE-T	04713	MC74HC163N
U3	1820-3297	4		1	IC DRVR CMOS/74HC BUS OCTL	04713	MC74HC244N
U4	1820-4053	2		1	IC INV CMOS/74HC HEX	01295	SN74HC05N
U5	1820-2289	2		1	IC-PROGRAMMABLE COMMUNICATIONS INTERFACE	34649	D8251A
U6	1820-3623	0		1	IC-ASYNCHRONOUS COMM.INTERFACE	27014	INS8250AN
U7	1826-0300	6		1	IC V RGLTR-FXD-NEG 11.5/12.5V TO-39 PKG	27014	LM79M12CH
U8	1820-3322	6		1	IC-INTERFACE DRVR COMMUNICATION EIA	04713	MC1488P
U9	1820-3321	5		1	IC-INTERFACE RCVR COMMUNICATION EIA	04713	MC1489AP
U10	1820-4053	2		1	IC INV CMOS/74HC HEX	01295	SN74HC05N

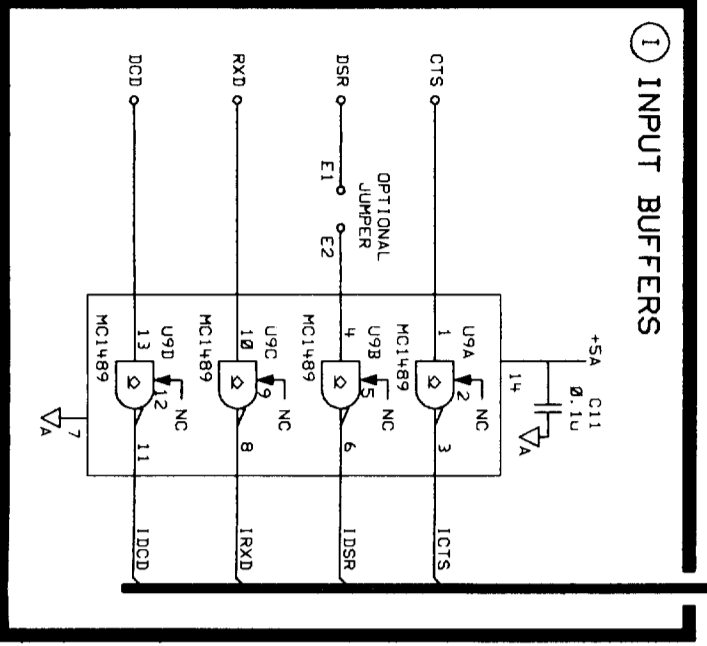
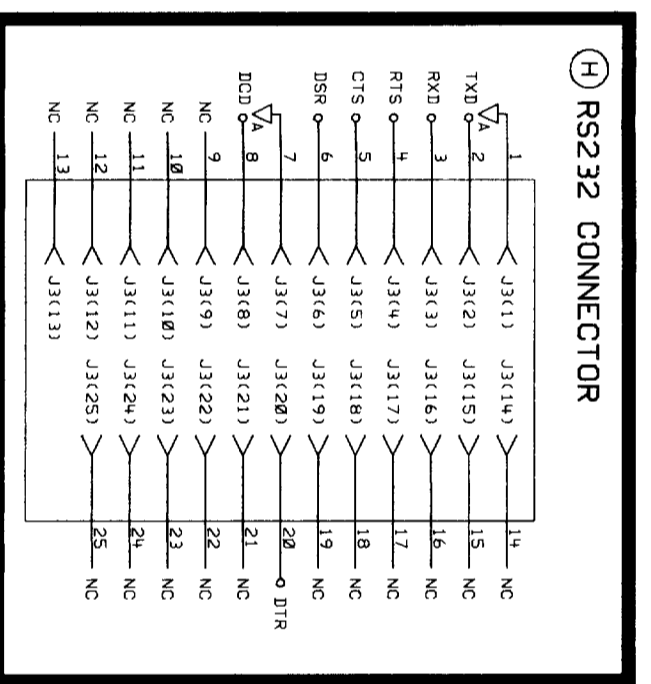
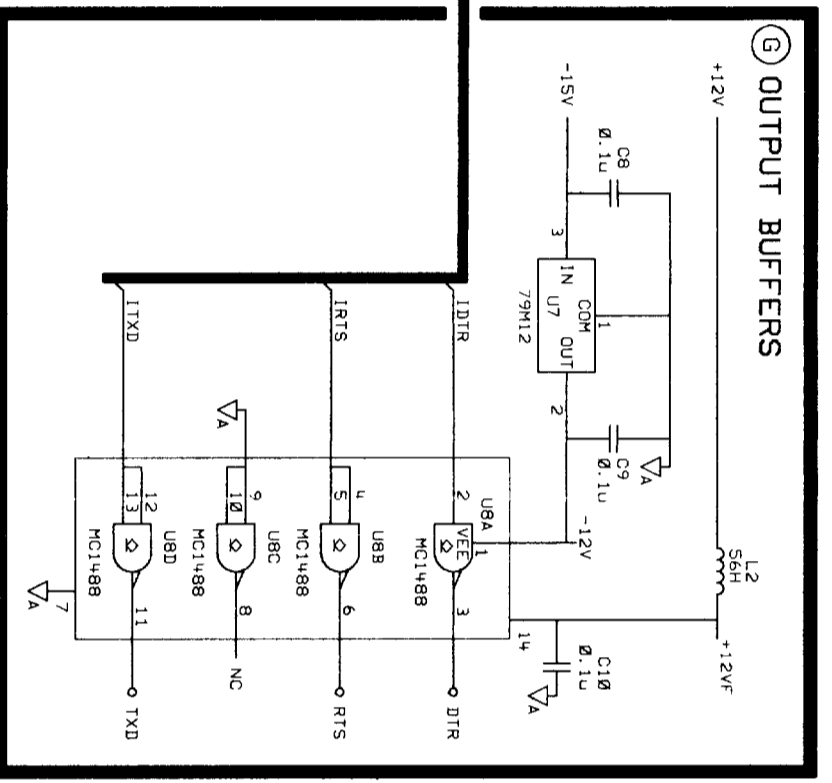
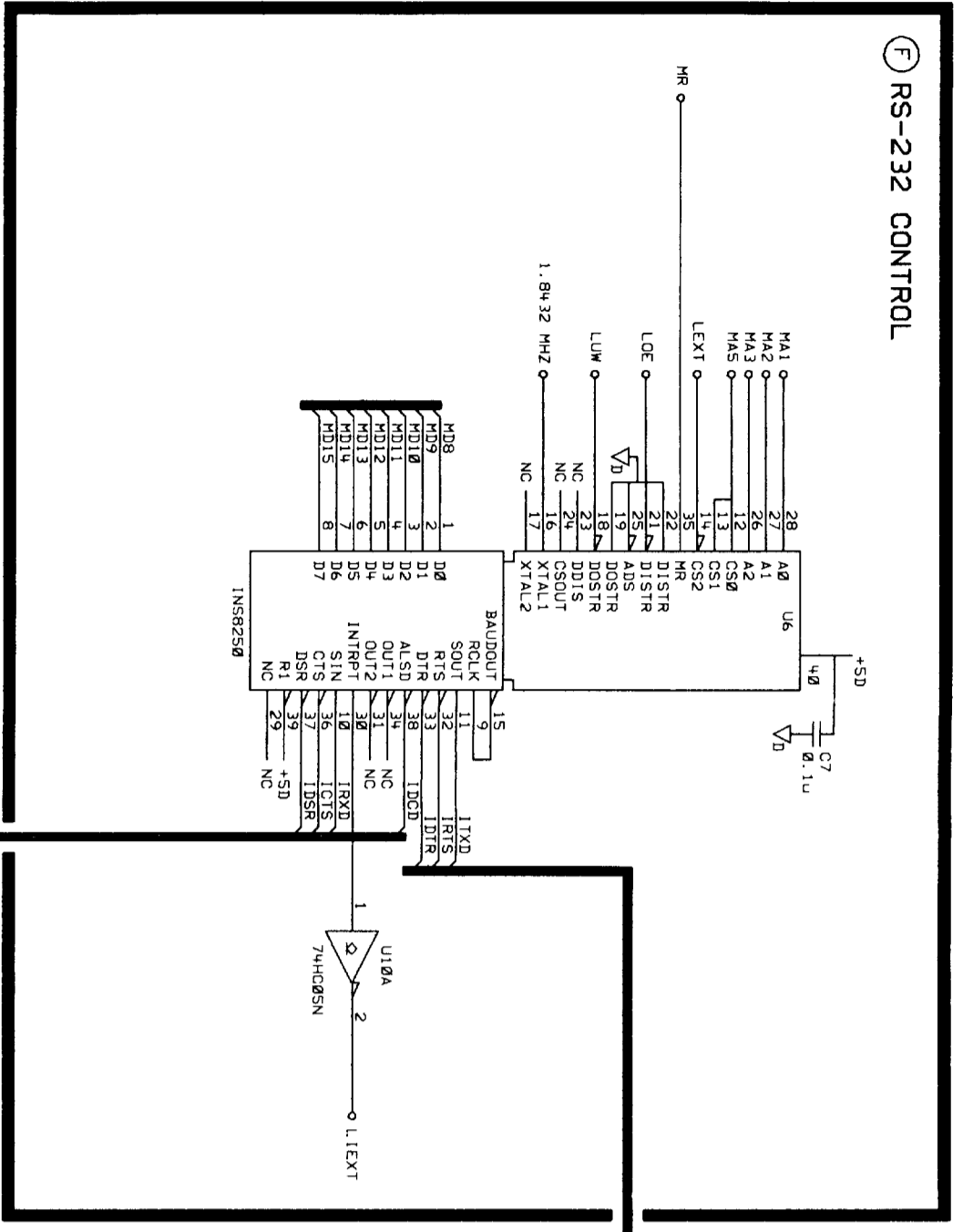
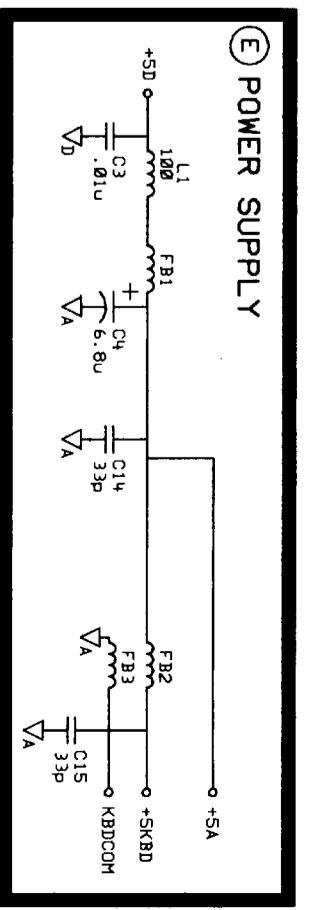
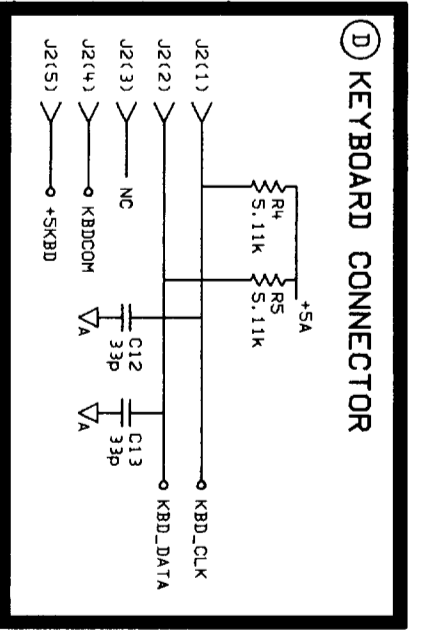
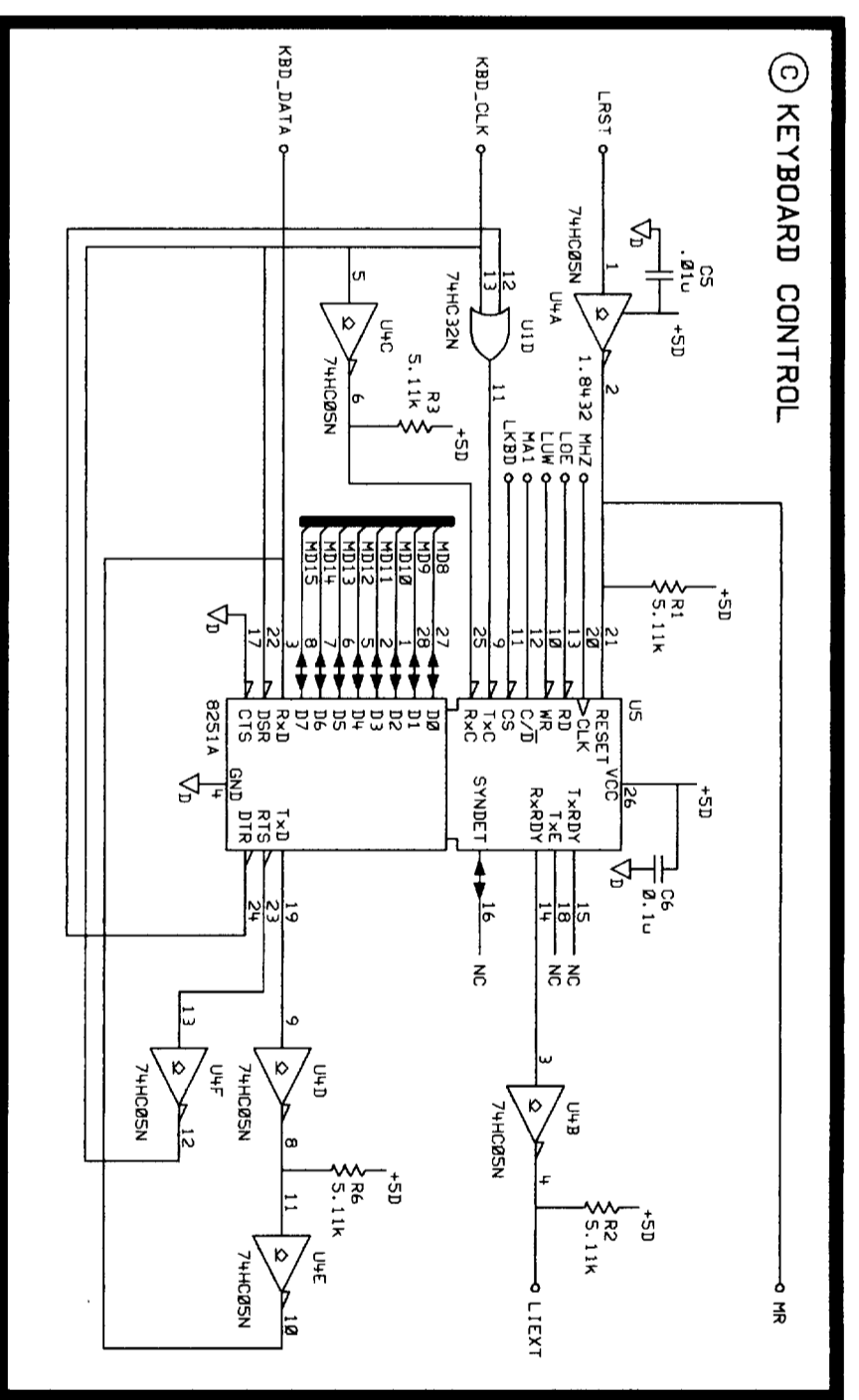
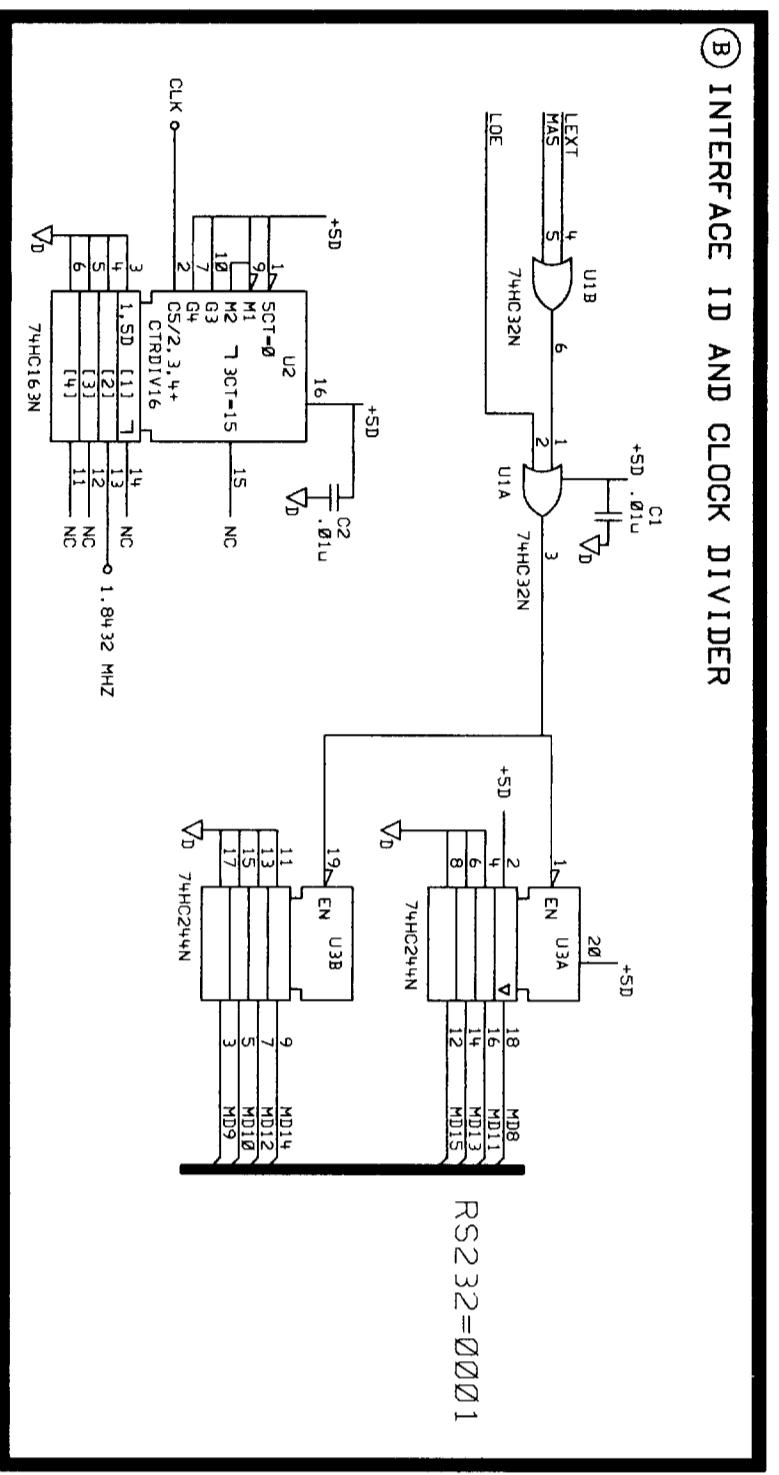
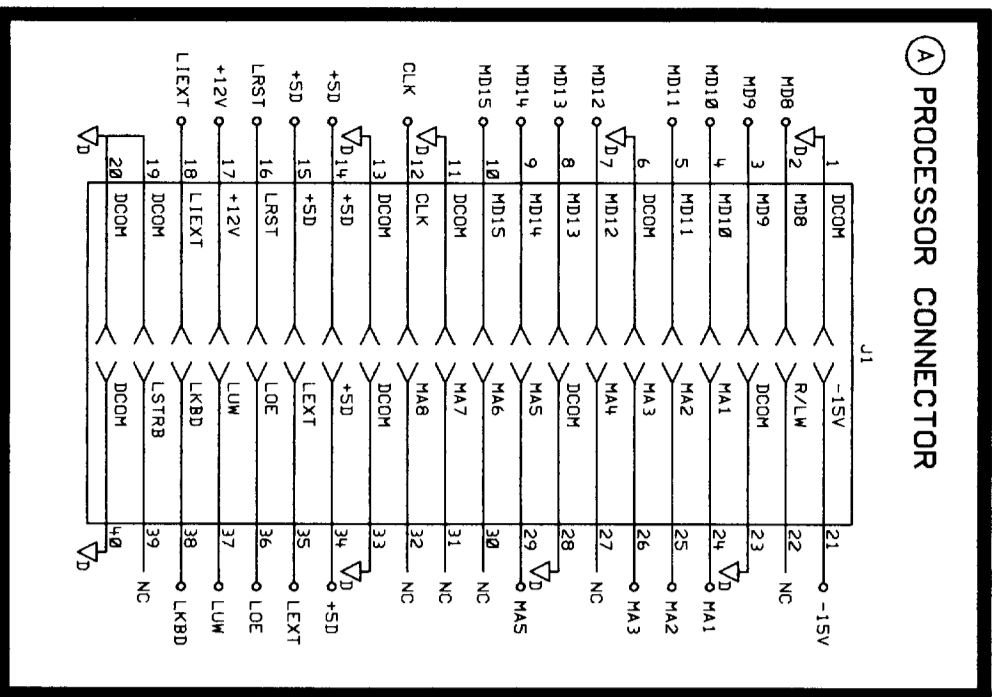
\*Indicates factory-selected value



NOTES: UNLESS OTHERWISE SPECIFIED

1. DIMENSIONS ARE IN INCHES.
2. THIS BOARD MOUNTS FACE TO FACE WITH THE PROCESSOR BOARD AND IS THEREFORE SUBJECT TO CERTAIN COMPONENT HEIGHT RESTRICTIONS. ENGINEER MUST BE CONSULTED BEFORE MOVING OR ADDING ANY PARTS.
3. MAXIMUM LEAD TRIM LENGTH .100.
4. CHECK FOR MODIFICATIONS IN THE P.C. LINE ASSEMBLY DOCUMENTATION MANUAL A-08590-A21.

SEE MATERIAL LIST 08590-60109



**NOTES:**

1. REFERENCE DESIGNATORS WITHIN PREFIX ABBREVIATION WITH ASSEMBLY NUMBER FOR COMPLETE REFERENCE.
2. UNLESS OTHERWISE INDICATED, RESISTANCE IN OHMS (Ω), CAPACITANCE IN PICOFARADS (pF), INDUCTANCE IN MICROHENRIES (μH).
3. MECHANICAL TABLE.

MECHANICAL	DESCRIPTION

